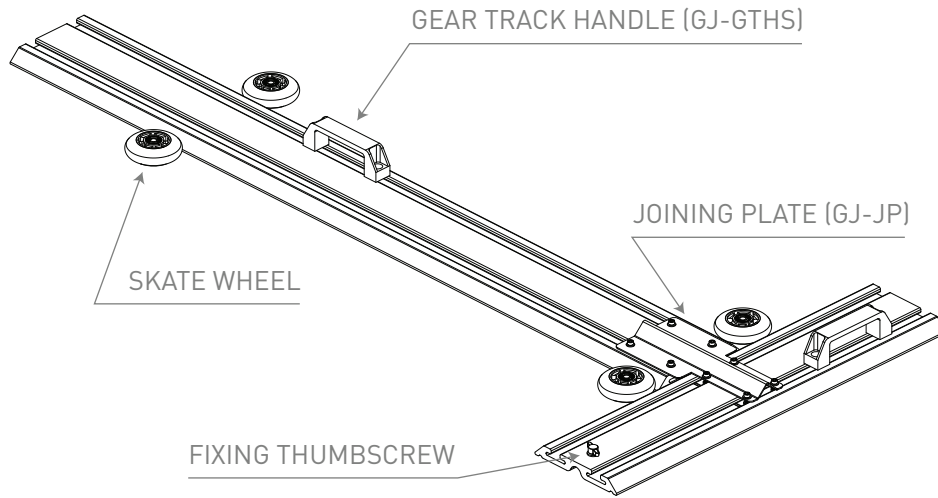




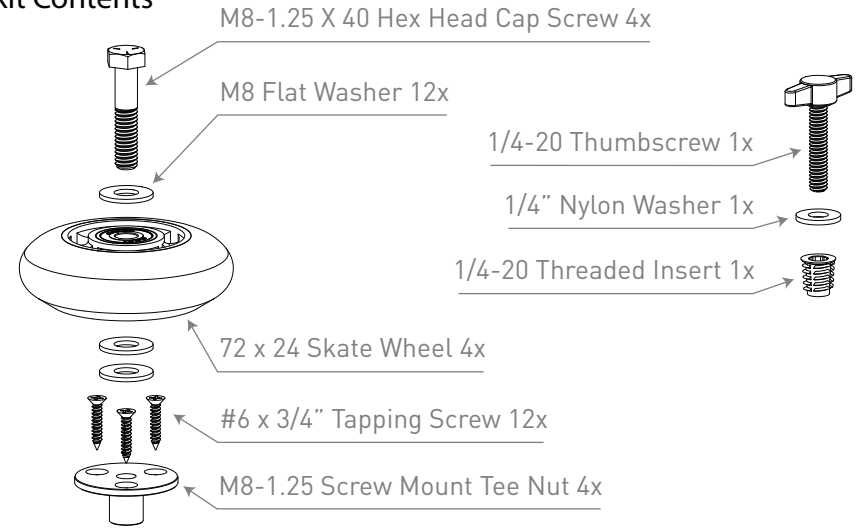
GEAR TRACK SLIDING RETAINER KIT

GEAR JACK MODEL GJ-GTSR

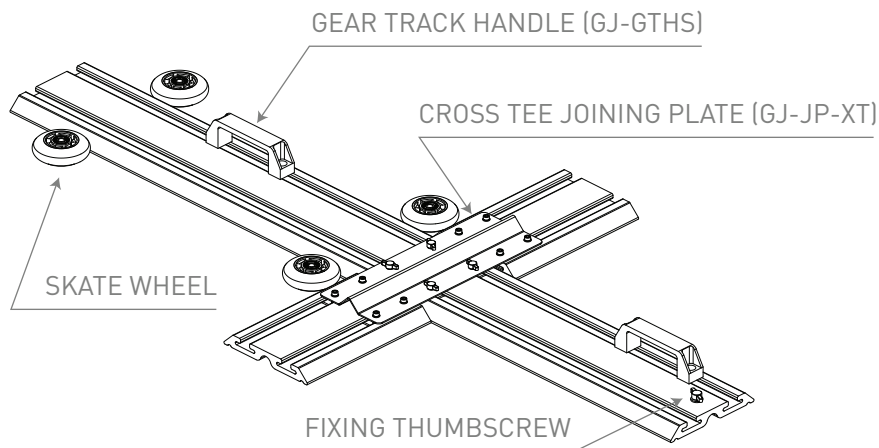
Typical 'TEE' Gladiator® Gear Track Assembly*



Kit Contents*



Typical 'CROSS TEE' Gladiator® Gear Track Assembly*



- 1** Position the Gear Track assembly on the trailer floor, shelf, or platform.
 - 2** Position and align the Drill Template under the Gear Track assembly.
 - 3** Mark the drill centers with an awl or punch. Drill 1/2" dia. x 5/8" deep. Err toward making centers too close together — not too far apart.
 - 4** Install the Tee Nuts in the holes. Mark the centers of the mounting screws. Pilot drill 1/8" dia. x 5/8" deep and install the #6 x 3/4" screws.
 - 5** Install the M8 Hex Head Screws and Skate Wheels. Place one washer above and two washers below. (Remove one washer below Skate Wheel to increase grip on the Gear Track.)
 - 6** Determine the location for the Fixing Thumbscrew. Pilot drill 1/8" dia. thru Gear Track and into mounting surface. Then drill 9/32" thru Gear Track and 5/16" x 1/2" deep into mounting surface.
- Using a 6mm hex key, install the Threaded Insert flush with the mounting surface. Install the Thumbscrew and Nylon Washer.

*Gear Track assemblies are shown for illustration purposes only. GJ-GTSR Kit does not include Gladiator Gear Track, Handles, or Joining plates. They can be ordered separately at www.randomrc.com

Drill Template

Align this edge with the edge of the 'Tee' section of Gear Track that will bump up against the skate wheels and limit fore and aft travel.

